



STAKE FOR GROWING GRAPEVINES USING A VERTICAL

TRELLIS SYSTEM PECOFRISA

Perfiles Conformados en Frío, S.A.

TECHNICAL CHARACTERISTICS:

An oval, tubular profile made using a high-frequency longitudinal welding process, with a cross-section providing maximum torque and bending resistance in all directions.

Our system offers wine-producers different installation options, enabling them to select: **quality, resistance and longevity for their plantations, in addition to being able to reuse the stakes once the grapevine life cycle has ended.**

A – Reinforced tip in a conical-star shape, non-deformable when nailed to the ground, which also serves as the housing for part D.

B – Extra-reinforced tip in a conical-star shape for nailing into the ground, non-deformable and non-rotating, and especially effective in stony ground. The shape of the tip produces a diffuser-like effect in the earth, thus favouring compacting and improving fixation to the ground.

PECOFRISA
Perfiles Conformados en Frío, S.A.

C – Z-shaped wire housing which provides easy height changing of the wire as well as a double support point.

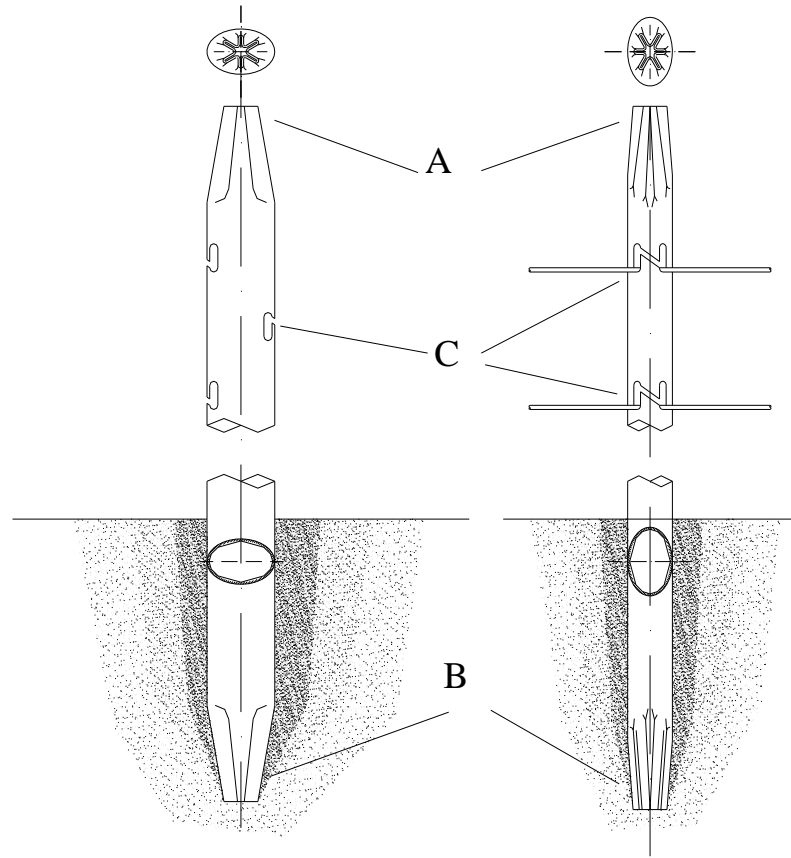
D – Part that is inserted into the tip by applying pressure, to hold the wire, without being able to slip out. It enables the wire to be pulled taut and all the heads of the stakes secured, thus forming a structural unit that remains perpendicular and prevents the stakes from swaying in any direction. **When the wire is placed in the tip, important savings are obtained, since firstly the length of the stake is reduced by about 10 centimetres (estimated savings of 4.5% in material compared to standard stakes) and secondly the distance between stakes is increased by at least 10%, thus considerably reducing the number of stakes needed with the ensuing labour and material savings during installation.**

E – View of the top wire secured after housing part D as described above.

F – Galvanised metal cross-piece screwed to the bolt in T shape for inserting two lines of fibre (G) to hold the vegetation in place without it being able to turn or hindering the mechanical collection of the fruit.

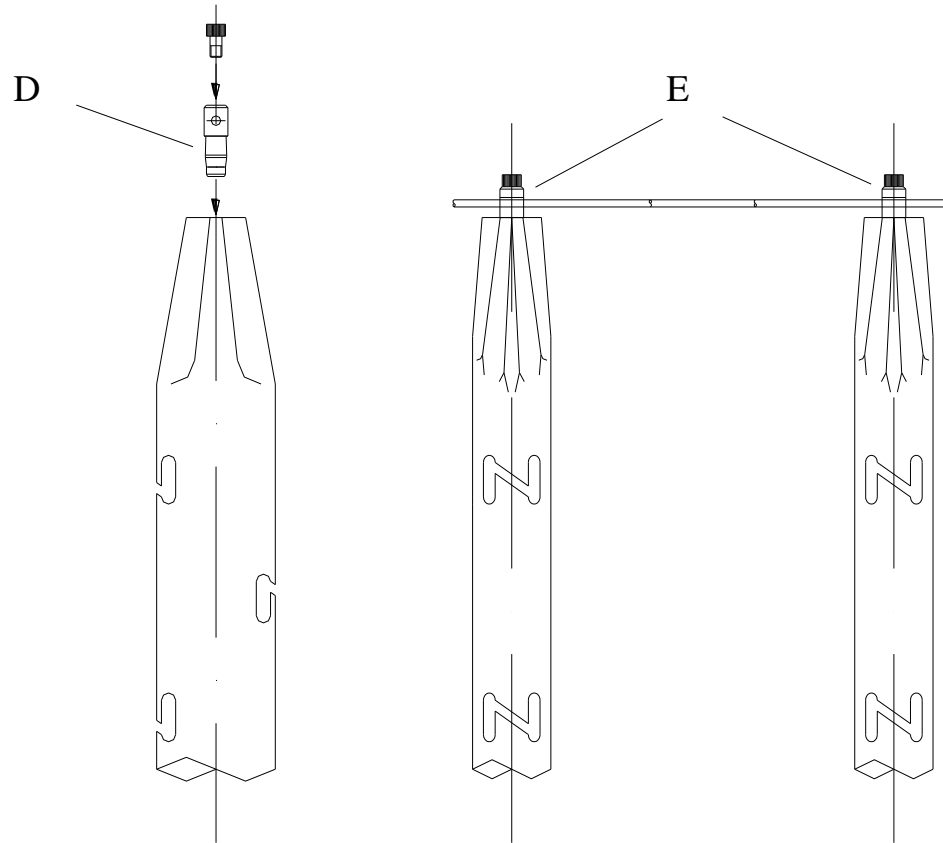
In addition we offer the option of engraving the client's anagram or mark on each stake.

Perfiles Conformados en Frío, S.A.



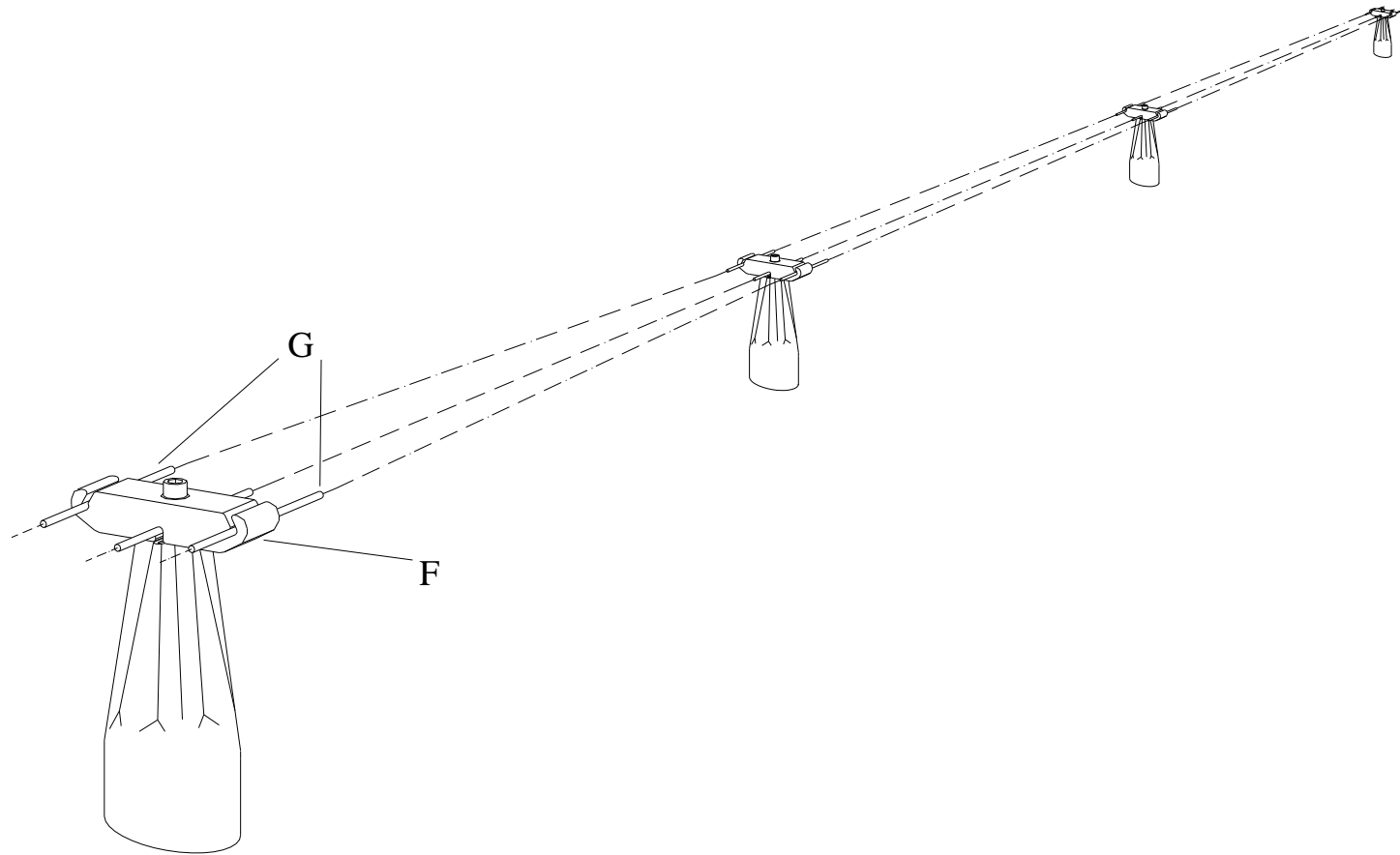
PECOFRISA

Perfiles Conformados en Frío, S.A.



PECOFRISA

Perfiles Conformados en Frío, S.A.



PECOFRISA

Perfiles Conformados en Frío, S.A.